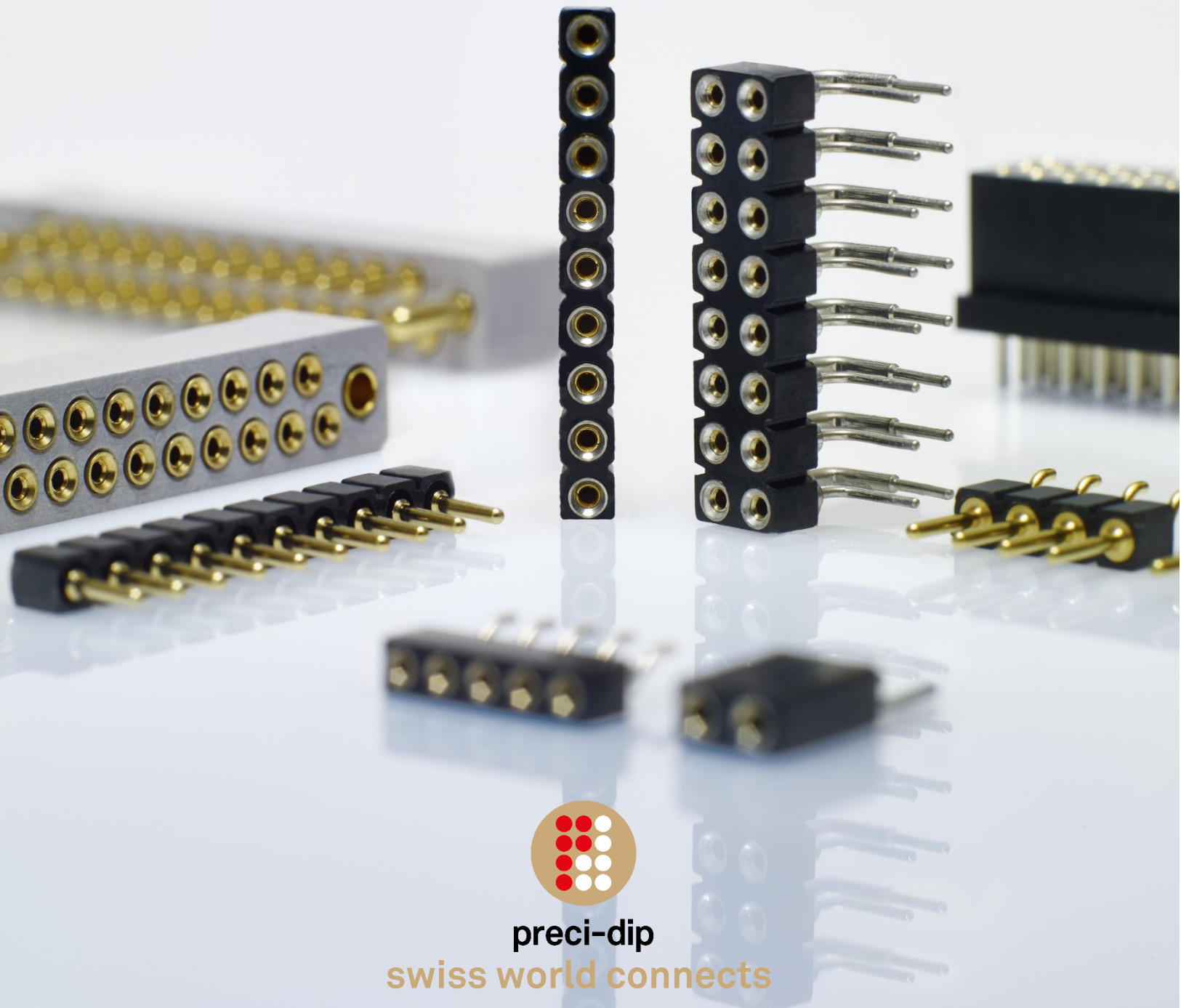


PRINTED CIRCUIT BOARD CONNECTORS

A RELIABLE SOLUTION FOR MISSION-CRITICAL
INTERCONNECTIONS



preci-dip

swiss world connects

PCB CONNECTORS IN ELECTRONIC DEVICES

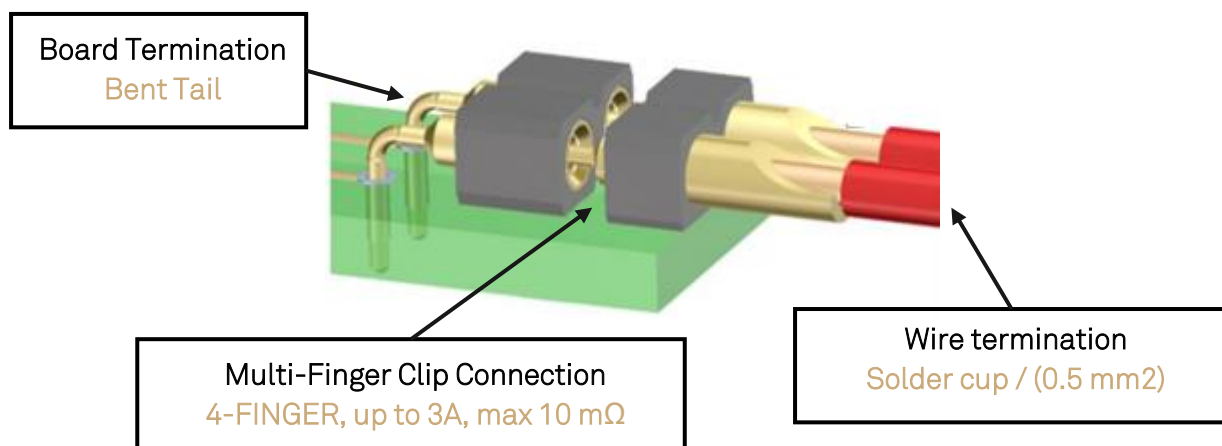
Interconnections between PCBs are common in electronic devices. PCB connectors provide for easy and efficient component assembly, repair, or replacement. This is the most convenient way to transmit signal or power with robustness and reliability in many applications and markets, including Mil-Aero, Automotive, General Industrial, Consumer Electronics, and Medical.

Configurations are numerous: terminations, number of poles, size, and disposition may all be varied.

HIGH PRECISION PCB CONNECTORS

PRECI-DIP offers over 25,000 references in our catalogue, with many kinds of terminations and technologies. PRECI-DIP connectors can be mated together to make efficient and highly reliable wire-to-board connections.

Below is an example of our 380-10-1002-00-001101 mated with 399-87-102-10-003101:

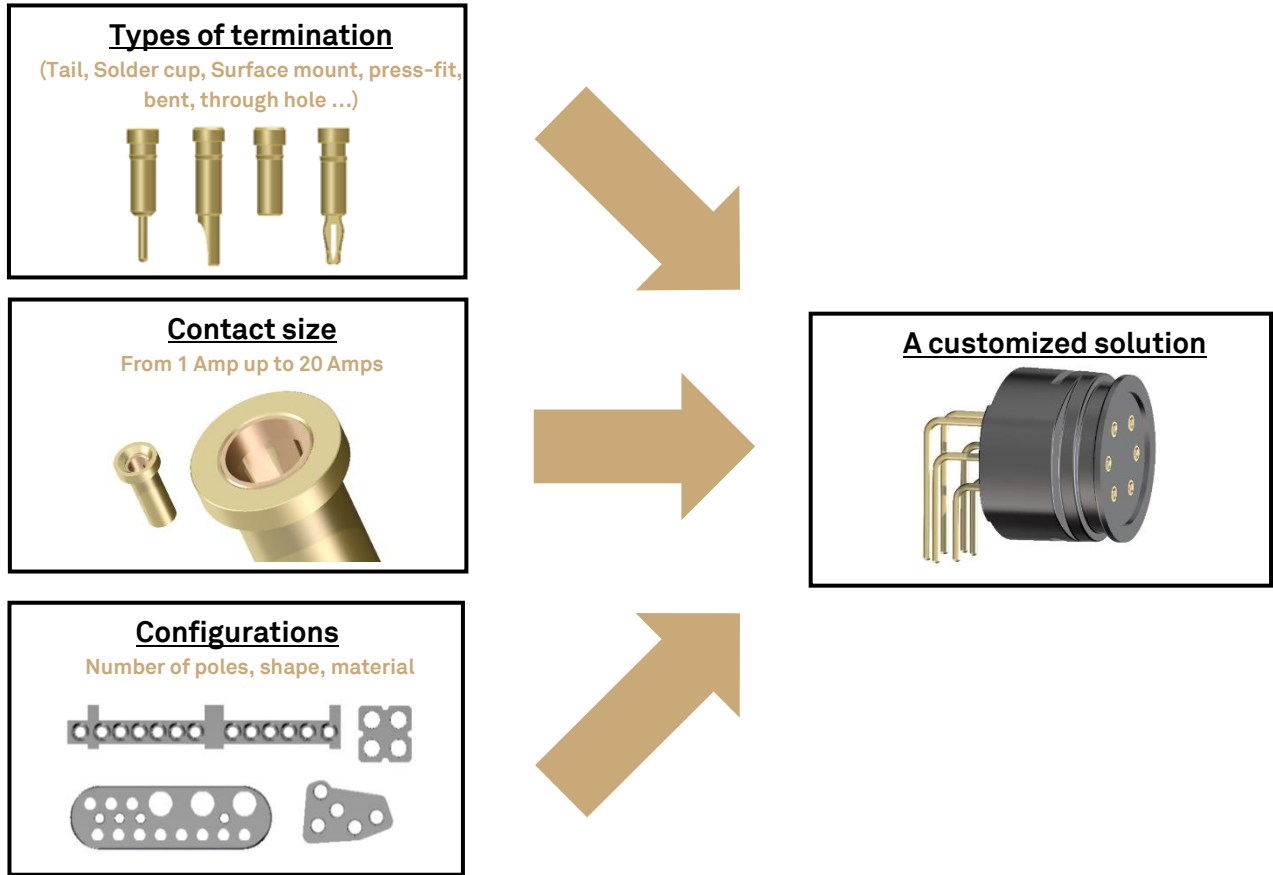




preci-dip

CUSTOMIZABLE SOLUTION

PRECI-DIP's proprietary and unique production system, from raw material to finished product, is entirely in-house built, including all our tooling, high-speed screw machines, and automatic assembly machines. This gives our team of engineers the ability to design and build custom products to fulfill the demanding needs of our customers.



MANY APPLICATIONS OF PCB CONNECTORS

CONSUMER



Spring loaded custom wire-to-board connector with oriented solder cup

MEDICAL



Custom connectors with pin and socket contact for a medical harness

INDUSTRIAL



Connector with die cast housing and insulated single post contact

MILITARY



8-way standard connector with wire wrapping turret head



preci-dip

CONTACT US

As a **vertically integrated** company, with processes that include *screw machining, stamping, plating, plastic molding, spring manufacturing, and automatic assembly*, coupled with manufacturing sites in Switzerland, the USA and China, PRECI-DIP is best positioned to design and produce the widest range of technologies of spring loaded contacts available on the market today. PRECI-DIP can also manufacture **customized product** solutions to match your needs. Our **R&D team** will analyze your specifications and give you the necessary support to meet your requirements, however demanding they may be.



www.precidip.com

PRECI-DIP SA Rue Saint-Henri 11 34 P.O.Box 834 CH-2800 Delémont / Switzerland
PHONE +41 (0)32 421 04 00 FAX +41 (0)32 421 04 01 E-MAIL sales@precidip.com www.precidip.com

Do not hesitate to contact us! sales@precidip.com